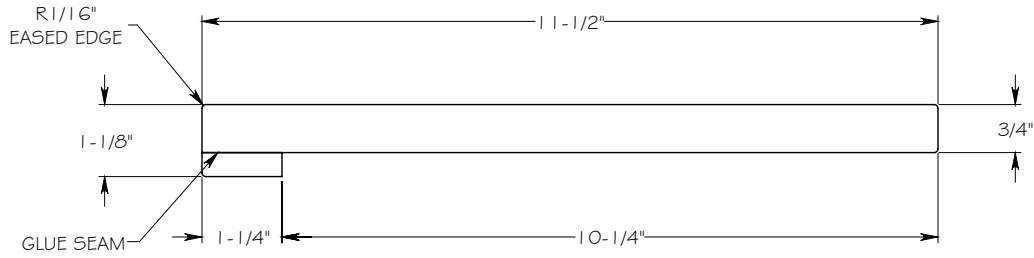
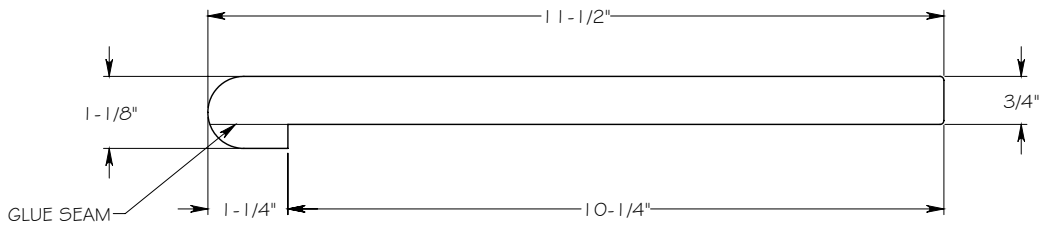


STAIR TREAD PROFILES

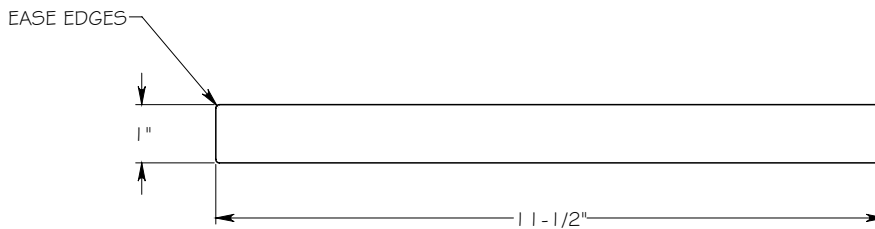
The below profiles are representative of three standard milling profiles for stair treads. Custom designs and profiles are available upon request - please provide drawings. Contact reSAWN for more information.



Stair Tread Profile #1 - Built up Square Nose



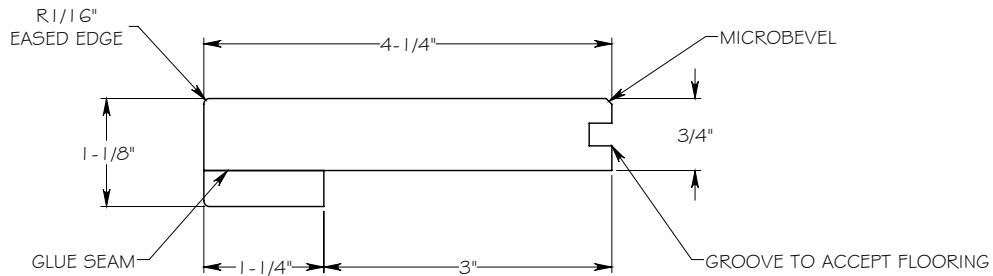
Stair Tread Profile #2 - Built up Bull Nose



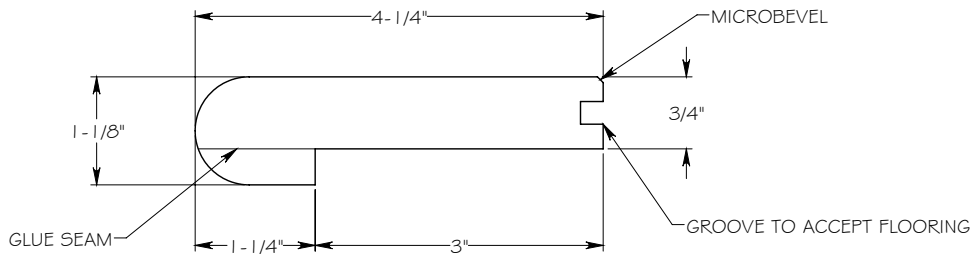
Stair Tread Profile #3 - Square Nose

**NOSING PROFILES**

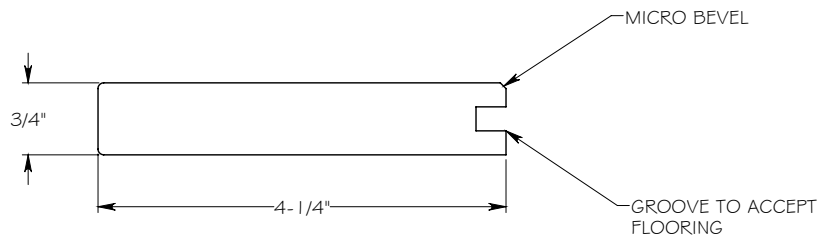
The below profiles are representative of three standard milling profiles. Custom designs and profiles are available upon request - please provide drawings. Additionally, thickness of grooved ends can be adjusted to 3/4" or 5/8" to match flooring as needed. Contact reSAWN for more information.



**Stair Nose Profile #1 - Built up Square Nose**



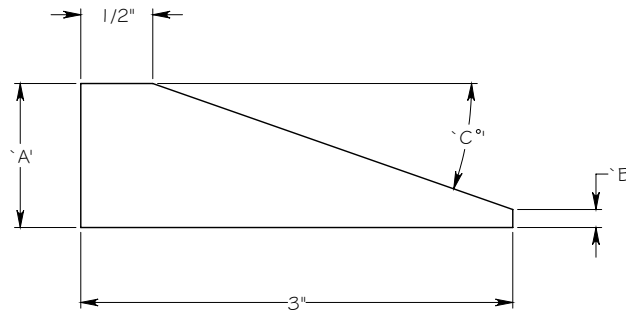
**Stair Nose Profile #2 - Built up Bull Nose**



**Stair Nose Profile #3 - Square Nose**

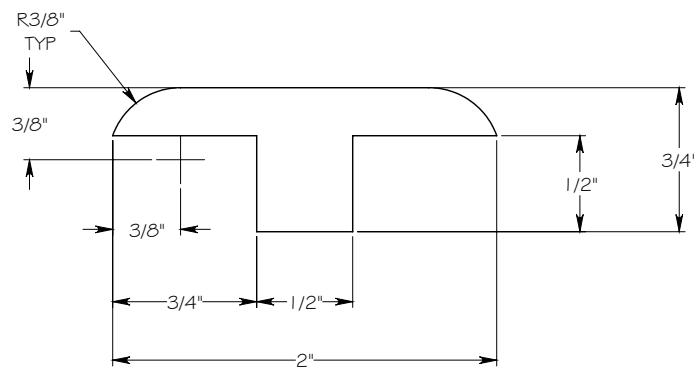
TRANSITIONS

The below profiles are representative standard transition profiles. Custom designs and profiles are available upon request - please provide drawings. Contact reSAWN for more information.



PART No.	A'	B'	C °
RST-910	3/4"	1/8"	14 °
RST-911	3/4"	3/8"	8.5 °
RST-912	5/8"	1/8"	11.3 °
RST-913	5/8"	3/8"	5.75 °

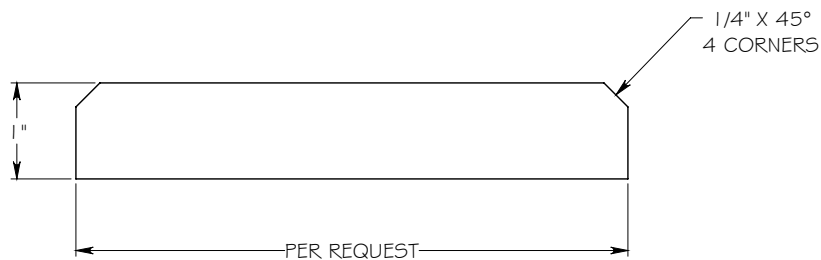
Reducer - see Part # and dimensions for options



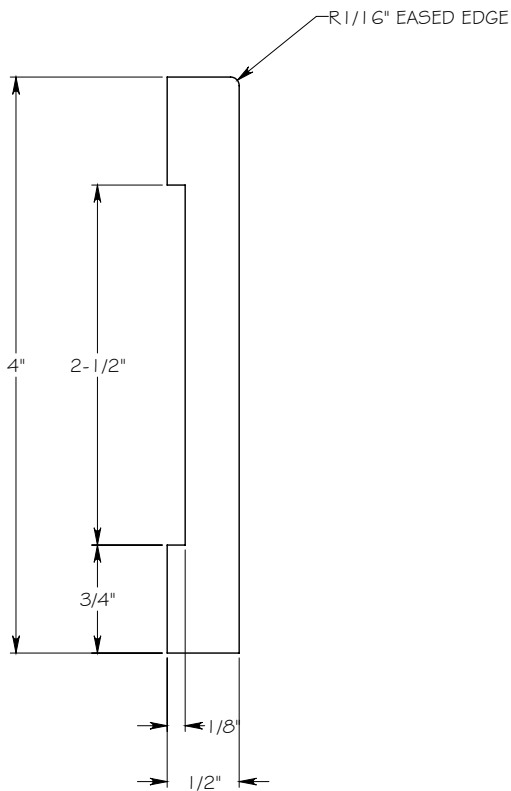
T-molding

## TRANSITIONS

The below profiles are representative standard transition profiles. Custom designs and profiles are available upon request - please provide drawings. Contact reSAWN for more information.



### Threshold - please advise required width



### Wall Base